

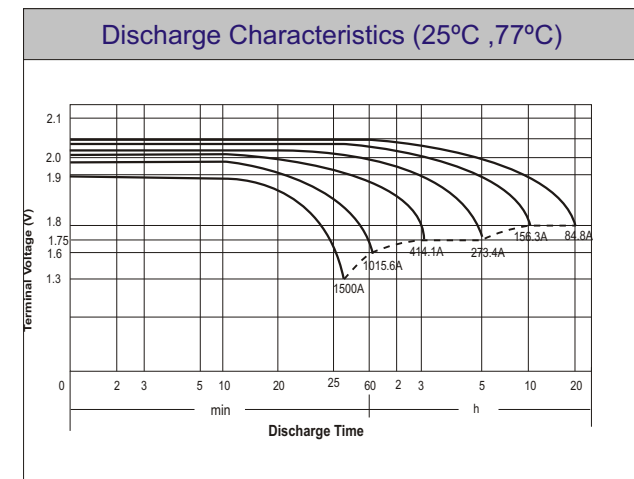
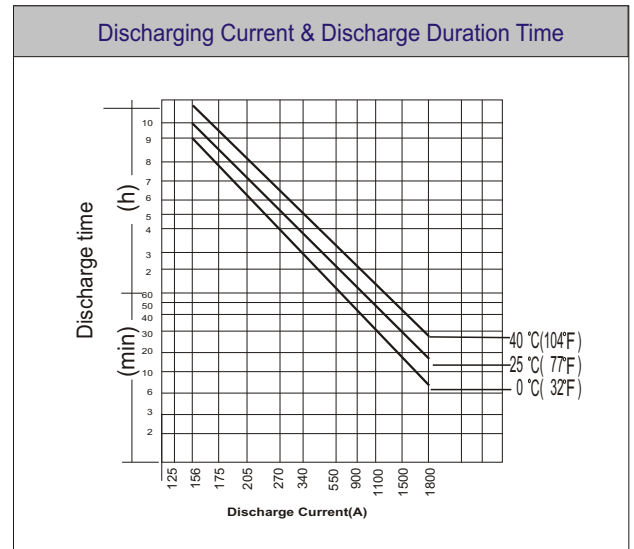
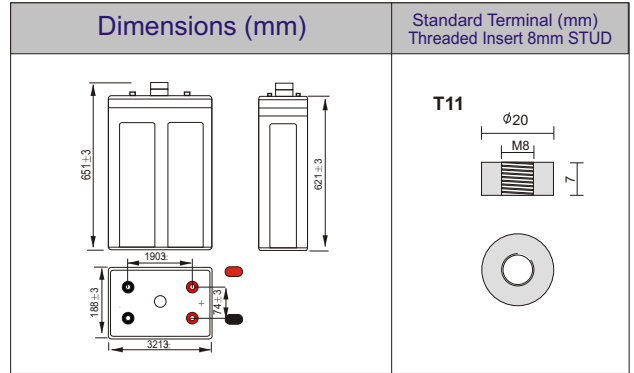


**POWER-GUARD SERIES®**



**PG2V1700H**

VRLA Sealed Long Life Battery



Physical Specification		
Nominal Voltage	2V	
Nominal Capacity (20HR)	1696AH(H)	
Dimension	Length	321 ± 3mm (12.64 inches)
	Width	188 ± 3mm (7.40 inches)
	Container Height	621 ± 3mm (24.45 inches)
	Total Height (with Terminal)	651 ± 3mm (25.63 inches)
Weight	Approx 123.5 kg (272.5lbs)	
Standard Terminal	T11 Threaded Insert 8mm STUD	

Electrical Specification					
Rated Capacity	20 hour rate (84.8A)	1696AH	Constant-Voltage Charge	Cycle	Initial Charging Current less than 450A. Voltage 2.40V~ 2.50V at 25°C (77°F) Temp. Coefficient -5mV/C
	10 hour rate (156.3 A)	1563AH			
	8 hour rate (187.5 A)	1500 AH			
	5 hour rate (273.4 A)	1367AH			
	3 hour rate (414.1 A)	1242.3AH			
1 hour rate (1015.6A)	1015.6AH	Standby	No limit on Initial Charging Current Voltage 2.25V~2.3V at 25°C(77°F) Temp. Coefficient - 3mV/C		
Capacity affected by Temperature	40°C (104°F) 103% 25°C (77°F) 100% 0°C (32°F) 86%				

Constant Current (Amp) and Constant Power (Watt) Discharge Table (25°C,77°F)											
Time(minute) Final voltage	30	45	60	120	180	240	300	360	480	600	1200
	1.3	1.3	1.6	1.7	1.75	1.75	1.75	1.75	1.8	1.8	1.8
Amps	1562.5	1093.8	1015.6	562.5	414.1	328.1	273.4	242.2	187.5	156.3	84.8
W/Cell	2953.1	2171.9	2010.9	1118.8	825.0	654.7	545.3	484.4	375.0	312.6	169.6